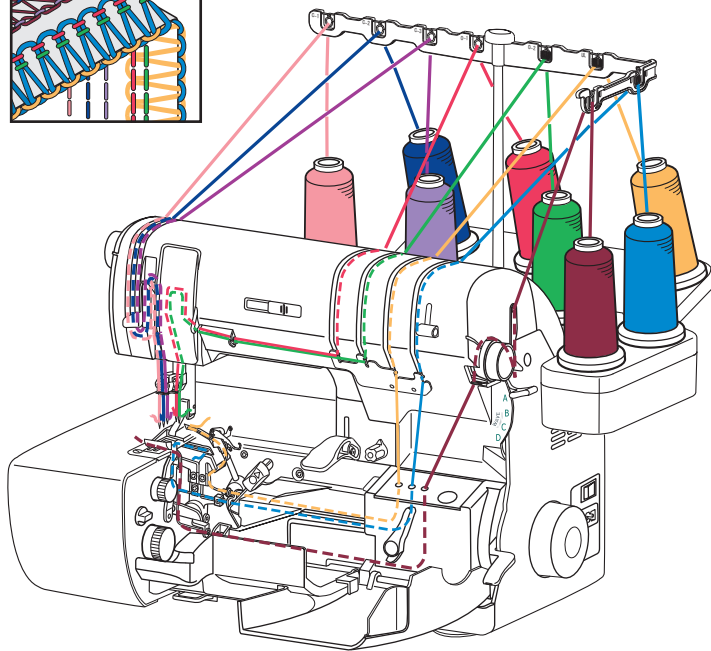
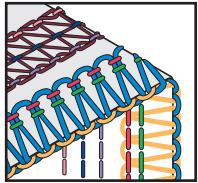


COMBINATION

8-Thread

Triple Cover + 4-Thread Overlock

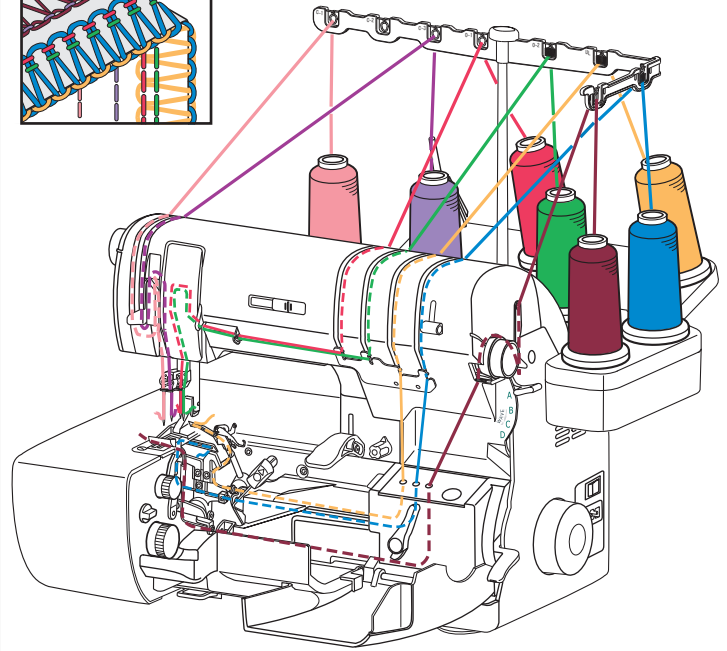
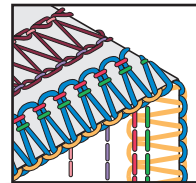
					Length 2.5-4.0	Width 7.5	Stitch Selector A	Wave Selector OVERLOCK	Chain Needle Tension 4-6	Chain Looper Tension COVER
Upper Looper Selector down up		Blade Position up		Knife Cover 		Subsidiary Looper 				



7-Thread

Cover Stitch Wide + 4-Thread Overlock

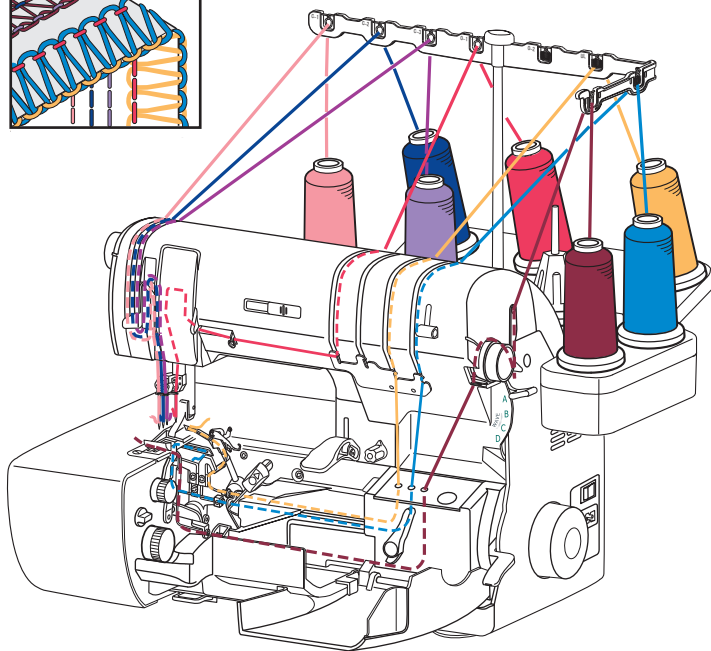
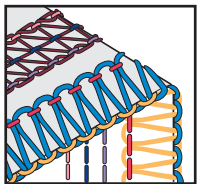
					Length 2.5-4.0	Width 7.5	Stitch Selector A	Wave Selector OVERLOCK	Chain Needle Tension 4-6	Chain Looper Tension COVER
Upper Looper Selector down up		Blade Position up		Knife Cover 		Subsidiary Looper 				



7-Thread

Triple Cover + 3-Thread Overlock Wide

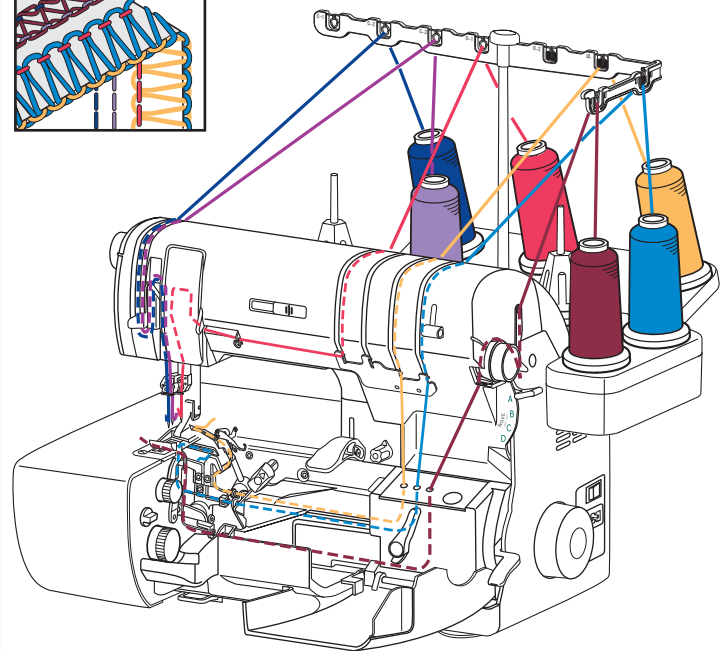
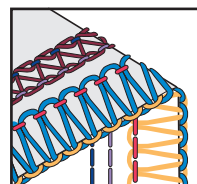
					Length 2.5-4.0	Width 7.5	Stitch Selector A	Wave Selector OVERLOCK	Chain Needle Tension 4-6	Chain Looper Tension COVER
Upper Looper Selector down up		Blade Position up		Knife Cover 		Subsidiary Looper 				



6-Thread

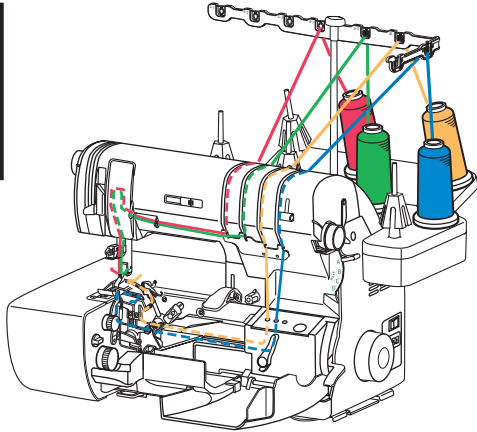
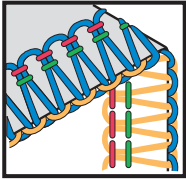
Cover Narrow Right + 3-Thread Overlock Wide

					Length 2.5-4.0	Width 7.5	Stitch Selector A	Wave Selector OVERLOCK	Chain Needle Tension 4-6	Chain Looper Tension COVER
Upper Looper Selector down up		Blade Position up		Knife Cover 		Subsidiary Looper 				



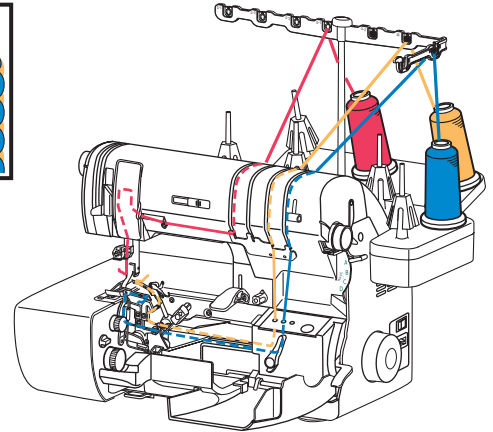
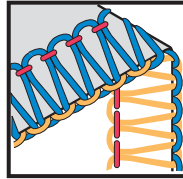
4-Thread Overlock

C1	C2	C3	O1	O2	Length	Width	Stitch Selector	Wave Selector	Chain Needle Tension	Chain Looper Tension
					2.5-4.0	6.5-7.5	A	OVERLOCK	—	—
Upper Looper Selector down		up		Blade Position up		Knife Cover		Subsidiary Looper		



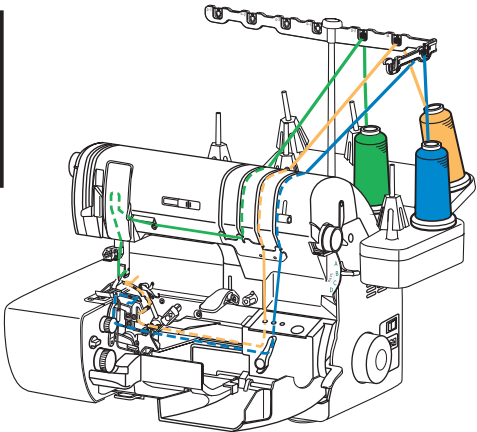
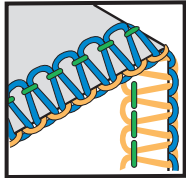
3-Thread Overlock-Wide

C1	C2	C3	O1	O2	Length	Width	Stitch Selector	Wave Selector	Chain Needle Tension	Chain Looper Tension
					2-4	7.5	A	OVERLOCK	—	—
Upper Looper Selector down		up		Blade Position up		Knife Cover		Subsidiary Looper		



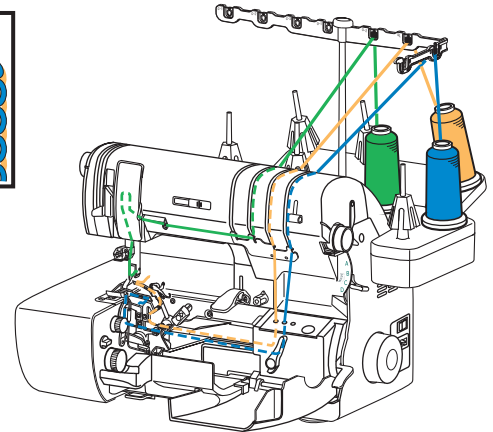
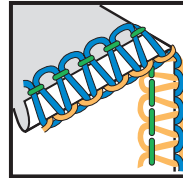
3-Thread Overlock-Narrow

C1	C2	C3	O1	O2	Length	Width	Stitch Selector	Wave Selector	Chain Needle Tension	Chain Looper Tension
					2-4	3.0	B	OVERLOCK	—	—
Upper Looper Selector down		up		Blade Position up		Knife Cover		Subsidiary Looper		



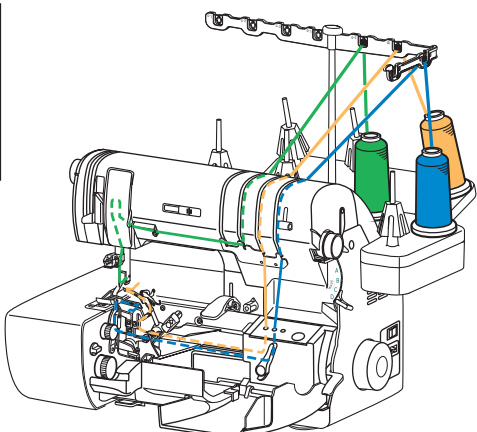
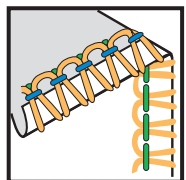
3-Thread Overlock-Narrow Hem

C1	C2	C3	O1	O2	Length	Width	Stitch Selector	Wave Selector	Chain Needle Tension	Chain Looper Tension
					0.75-4.0R	3.0	C	OVERLOCK	—	—
Upper Looper Selector down		up		Blade Position up		Knife Cover		Subsidiary Looper		



3-Thread Overlock-Rolled Edge

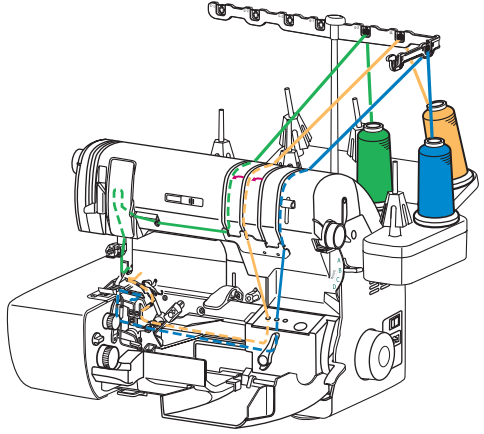
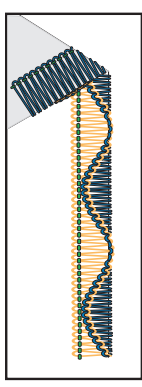
C1	C2	C3	O1	O2	Length	Width	Stitch Selector	Wave Selector	Chain Needle Tension	Chain Looper Tension
					0.75-4.0R	3.5	D	OVERLOCK	—	—
Upper Looper Selector down		up		Blade Position up		Knife Cover		Subsidiary Looper		



OVERLOCK

3-Thread Wave Stitch

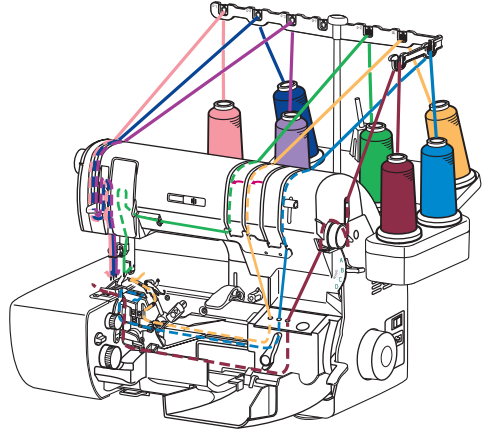
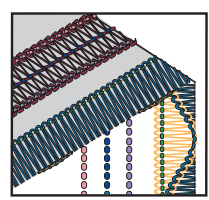
C1	C2	C3	O1	O2	Length 0.75-2.5	Width 5.0	Stitch Selector B	Wave Selector WAVE	Chain Needle Tension —	Chain Looper Tension —
Upper Looper Selector down		Blade Position up		Knife Cover		Subsidiary Looper				



COMBINATION

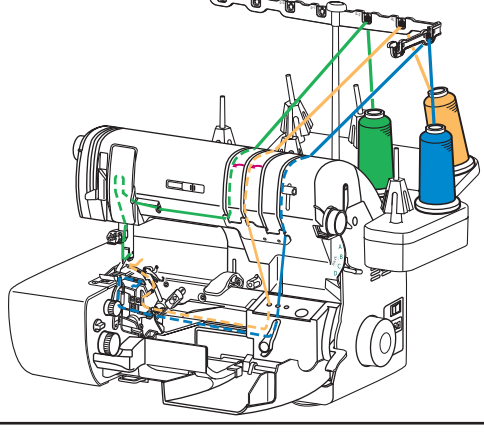
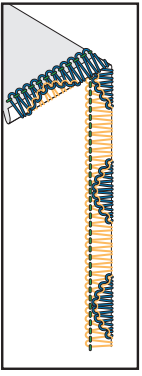
7-Thread Triple Cover + 3-Thread Wave Stitch

C1	C2	C3	O1	O2	Length 1.5-2.5	Width 5.0	Stitch Selector B	Wave Selector WAVE	Chain Needle Tension 4-6	Chain Looper Tension COVER
Upper Looper Selector down		Blade Position up		Knife Cover		Subsidiary Looper				



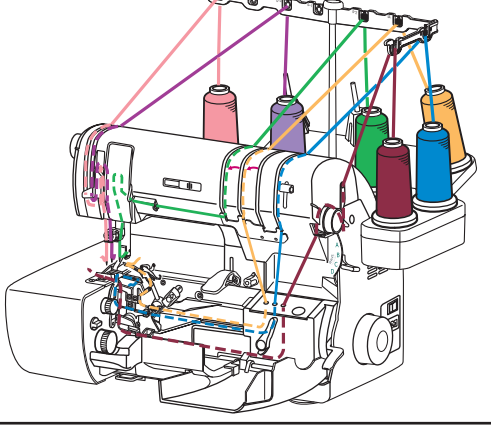
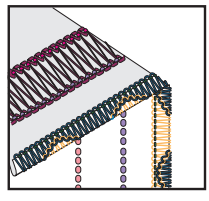
3-Thread Rolled Wave Stitch

C1	C2	C3	O1	O2	Length 0.75-1.5R	Width 3.0-5.0	Stitch Selector C	Wave Selector WAVE	Chain Needle Tension —	Chain Looper Tension —
Upper Looper Selector down		Blade Position up		Knife Cover		Subsidiary Looper				



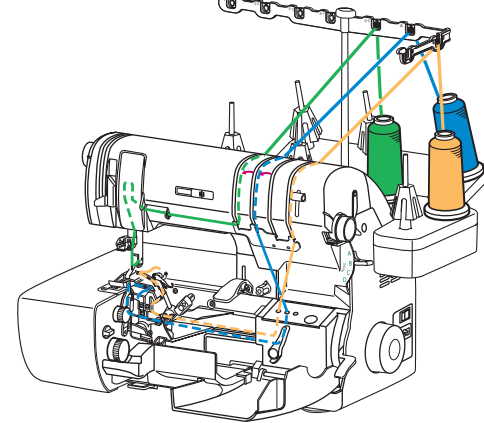
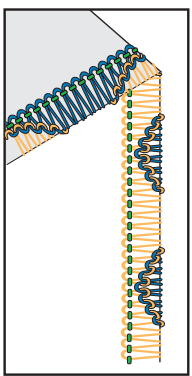
6-Thread Cover Stitch Wide + 3-Thread Rolled Wave

C1	C2	C3	O1	O2	Length 1.5-2.0R	Width 3.5	Stitch Selector C	Wave Selector WAVE	Chain Needle Tension 4-6	Chain Looper Tension COVER
Upper Looper Selector down		Blade Position up		Knife Cover		Subsidiary Looper				



3-Thread Reversed Wave

C1	C2	C3	O1	O2	Length 0.75-2.5	Width 5.0	Stitch Selector B	Wave Selector WAVE	Chain Needle Tension —	Chain Looper Tension —
Upper Looper Selector down		Blade Position up		Knife Cover		Subsidiary Looper				



7-Thread Triple Cover + 3-Thread Reversed Wave

C1	C2	C3	O1	O2	Length 1.5-2.5	Width 5.0	Stitch Selector B	Wave Selector WAVE	Chain Needle Tension 4-6	Chain Looper Tension COVER
Upper Looper Selector down		Blade Position up		Knife Cover		Subsidiary Looper				

